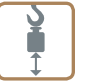

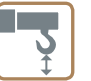
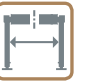






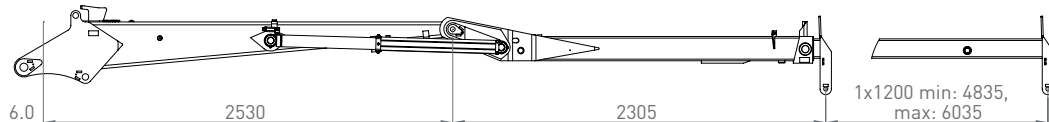
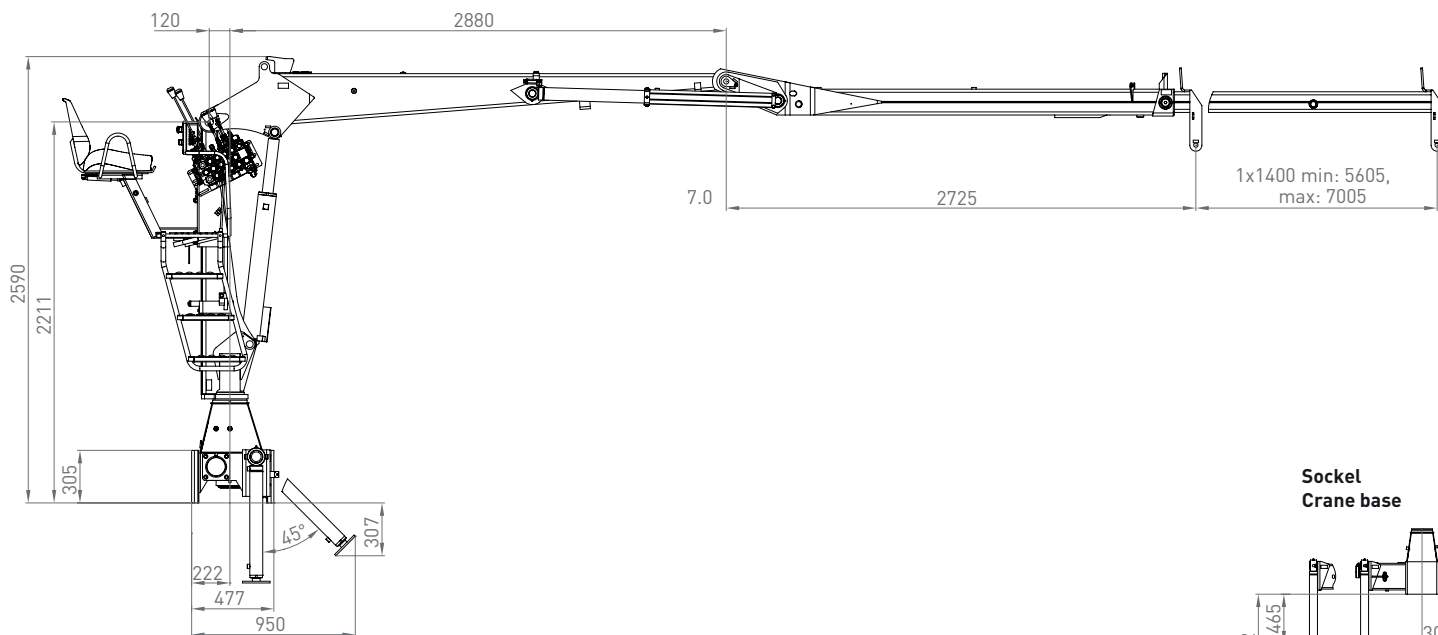
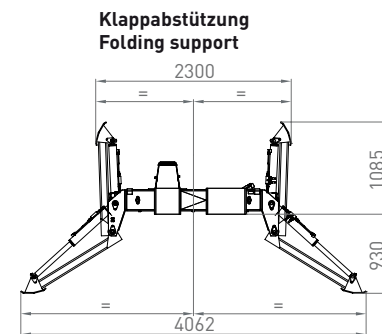
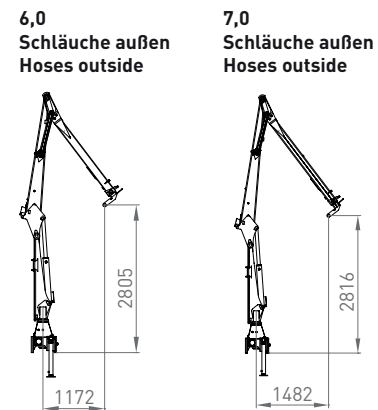


# 4Z

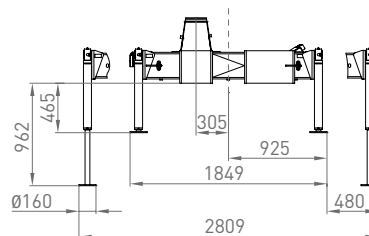
-   
 39 – 41 kNm
-   
 6,0 – 7,0 m
-   
 2,8 m
-   
 2,8 m – 4,1 m
-   
 990 – 1040 kg
-   
 380°
-   
 9 kNm
-   
 220 bar
-   
 1x  
 30 – 40 l/min  
 ~ 16 kW
-   
 LS  
 75 l/min  
 ~ 30 kW



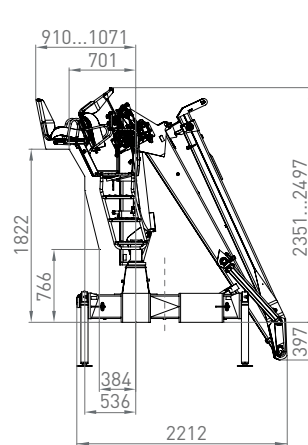
	4m	5m	6m	7m	
4Z7.00	1000	780	650	505	kg
4Z6.00	1065	800			kg



**Sockel**  
Crane base



**7.00 Rücksitz 01**  
7.00 Back seat 01



**6.00 Rücksitz 01**  
6.00 Back seat 01

